

Absorption refrigerators
3140

PNC	ELC	Brand	Model	Market
921172058	00	Dometic	RGE400	CA - US

Large freestanding refrigerators

Dometic Motala

Publication-No.
599529265
2007/03/20
MO

ALPHABETICAL INDEX

	Page	Pos. No
Cabinet, exterior components	1-2	1-999
Control & Burner components	3-5	1-151
Cabinet, interior components	6-7	1-116
Cabinet, rear view	8-9	100-999
Door Asm.	10-11	1-31
Wiring Diagram	12	--

SPECIFICATIONS

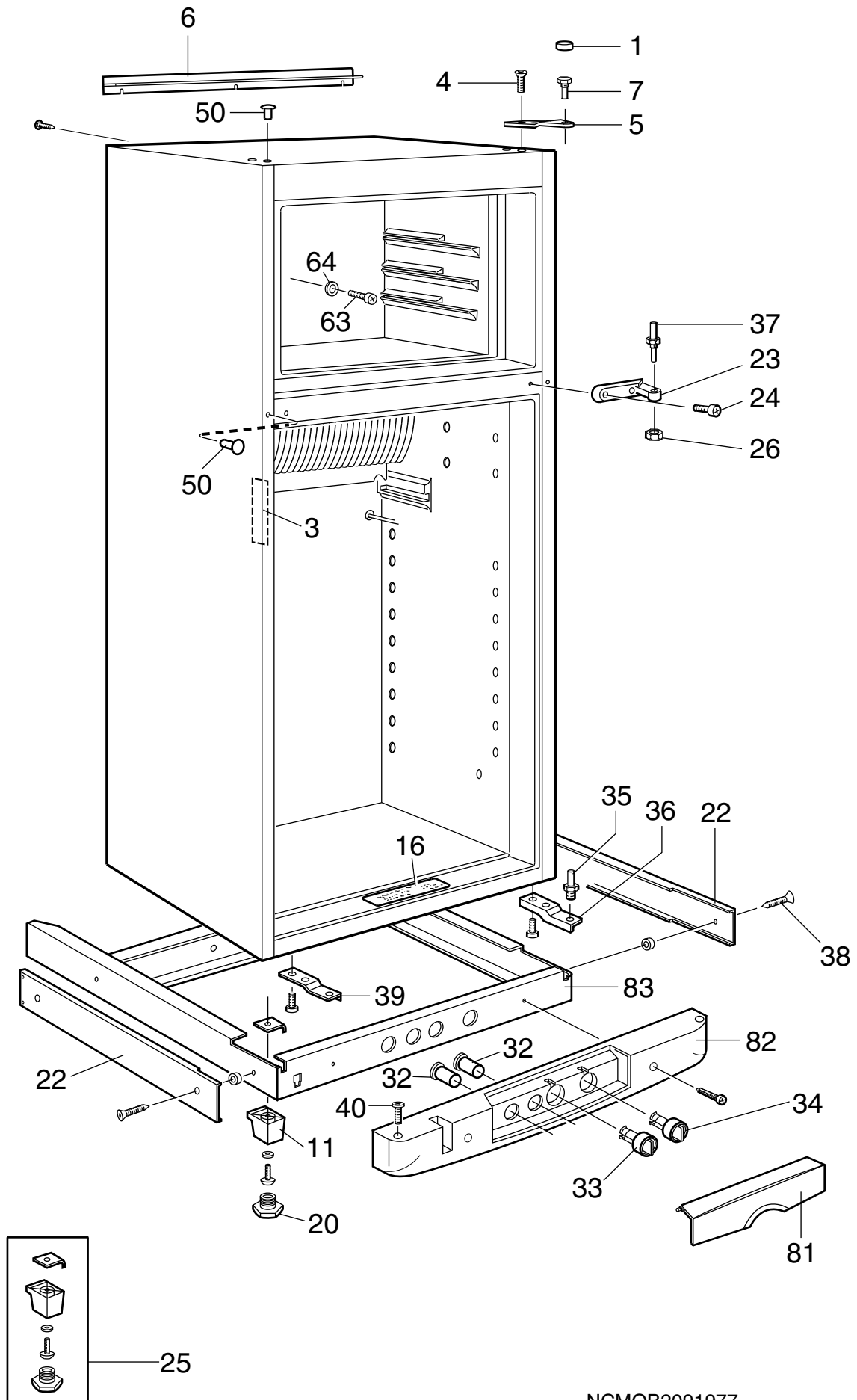
PRODUCT NO.*	921172058
Energy Source	120VAC/GAS
AC Heating Element	
Watts	300
Ohms	48
Amperage	2.5
BTU's Gas Burner	1500
Jet Size	# 58
Flue Baffle	
Size	5-1/8" x 13/16"
Position Above Burner	4-1/4"
Ice Trays	1
Crispers	2
Bottle Holders	2

Note:

Interior light requires four (4) D-size (1.5V) batteries

* Product number located on refrigerator data plate.

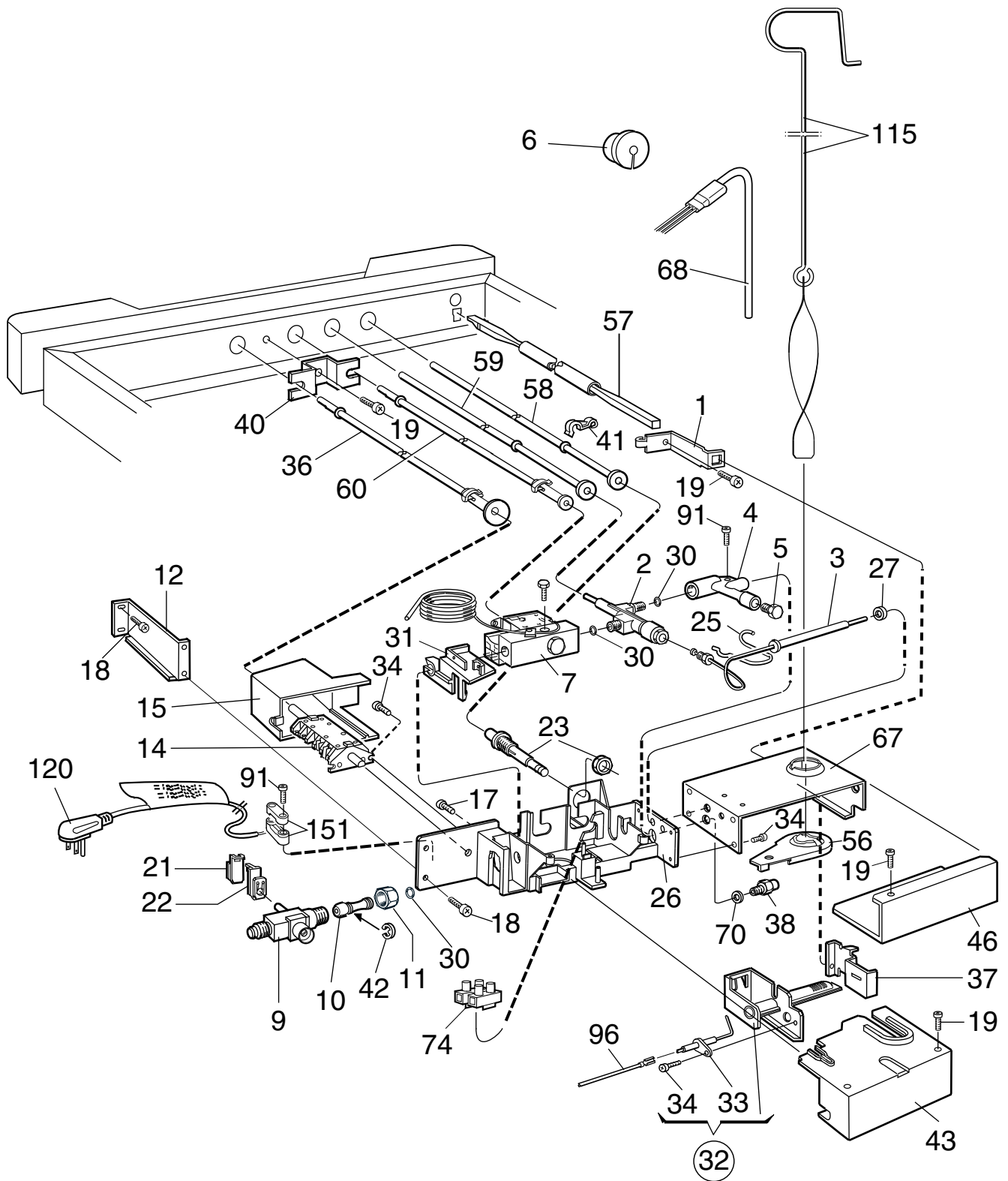
529265T



NCMOB2091977

Matrix	PNC	ELC	ProdDate	Model
A	921172058	00	20070404	RGE400

Pos	Part No.	Matrix	Description
1	2932736065	A	Cover
3	3850638002	A	Label
4	3858056025	A	Screw,zinc-plated,MFX M5X10
5	2932787050	A	Hinge,upper,right,white
6	2932801059	A	Cover,white
7	2932790013	A	Hinge pin,upper
11	2004003006	A	Foot,RA34
16	2932934009	A	Instruction plate
20	2002599005	A	Foot,adjustable
22	2932795053	A	Cover
23	2932788058	A	Hinge,middle
24	3858004082	A	Screw,MRX M5x20
25	2002483002	A	Foot,cpl.,set
26	3858030012	A	Nut,hinge
32	2007479070	A	Button,white
33	2007480326	A	Thermostat knob,white
34	2007480359	A	Knob,selector,white
35	2932792019	A	Hinge pin,lower
36	2932789023	A	Hinge,lower,right
37	2932791011	A	Hinge pin,middle
38	3858003035	A	Screw,FXS B10x22
39	2932789015	A	Hinge,lower,left
40	3858004017	A	Screw,MRX-LH M6x12
50	2932373018	A	Cap,white
63	3858036050	A	Screw,zinc-plated,KFXS B10X38, Cr III
64	3858010147	A	Washer,aluminium,5.2x22x1.5
81	2932783018	A	Flap
82	2932782093	A	Base panel,white
83	2932836014	A	Base
999	2932372101	A	Door reversing kit,right-left not shown



NCMOH2091978

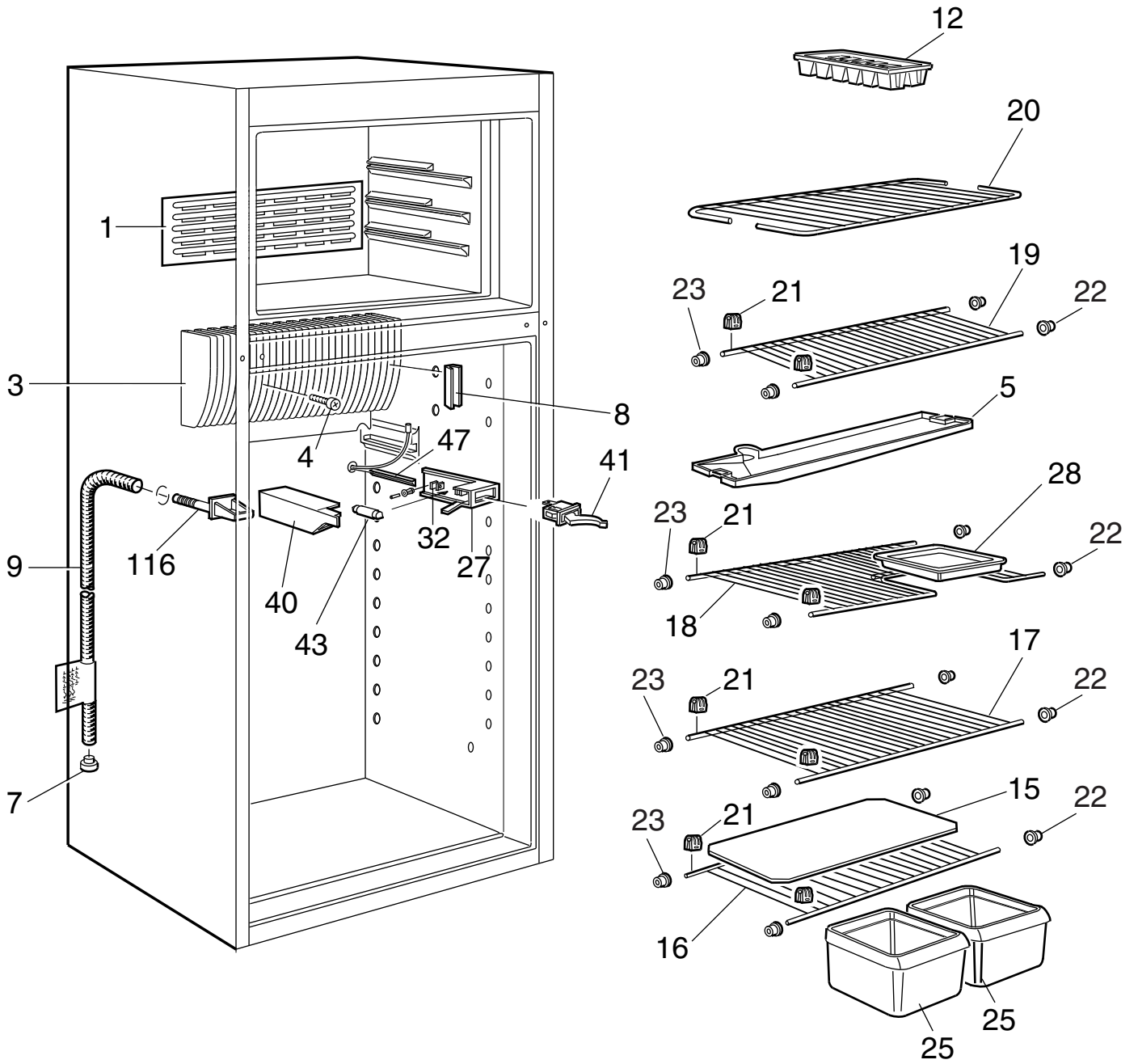
Matrix	PNC	ELC	ProdDate	Model
A	921172058	00	20070404	RGE400

Pos	Part No.	Matrix	Description
1	2007648005	A	Holder,light conductor
2	2931657015	A	Safety valve
3	2931496042	A	Thermo element
4	2007518000	A	Coupling
5	169380003	A	Screw,plug
6	2002301006	A	Cover
7	3850223011	A	Thermostat,V61-PO130
9	2007430008	A	Gas valve
10	2007429000	A	Nipple
11	172809006	A	Nut
12	2932796028	A	Bracket
14	2007432004	A	Switch
15	2007439009	A	Cap
17	3858039039	A	Screw,zinc-plated,MRX M4X8
18	3858039047	A	Screw,zinc-plated,MRX M4X10
19	3858002144	A	Screw,zinc-plated,RXS B6X9,5
21	2007577014	A	Spring
22	2007578004	A	Spring
23	2931796011	A	Piezo lighter
25	2007425008	A	Retaining spring
26	3850548011	A	Bracket
27	3858010139	A	Washer,brass
30	140748005	A	Sealing ring,o-ring,T2527-1
31	2007428002	A	Snapper
32	2007503036	A	Burner,complete
33	2930379009	A	Electrode
34	3858005014	A	Screw,zinc-plated,RXK B6X9,5
36	2007475045	A	Axle,complete
37	2007651017	A	Guidance,burner
38	2007419217	A	Jet,complete,no58
40	2007567007	A	Support,axle
41	2005112004	A	Clip
42	3858034022	A	Retaining ring,zinc-plated,8
43	2007440007	A	Cap
46	2007505007	A	Cover
56	2007458017	A	Interlocking washer
57	2932797018	A	Light conductor
58	2007468115	A	Push rod
59	2007468099	A	Push rod
60	2007471044	A	Shaft,complete
67	2007502038	A	Burner housing
68	3850644141	A	Heater,120V, 300W
70	2007457001	A	Washer,0,5mm
74	3858062023	A	Terminal block

Exploded view no.: NCMOH2091978
N00002091978

Matrix	PNC	ELC	ProdDate	Model
A	921172058	00	20070404	RGE400

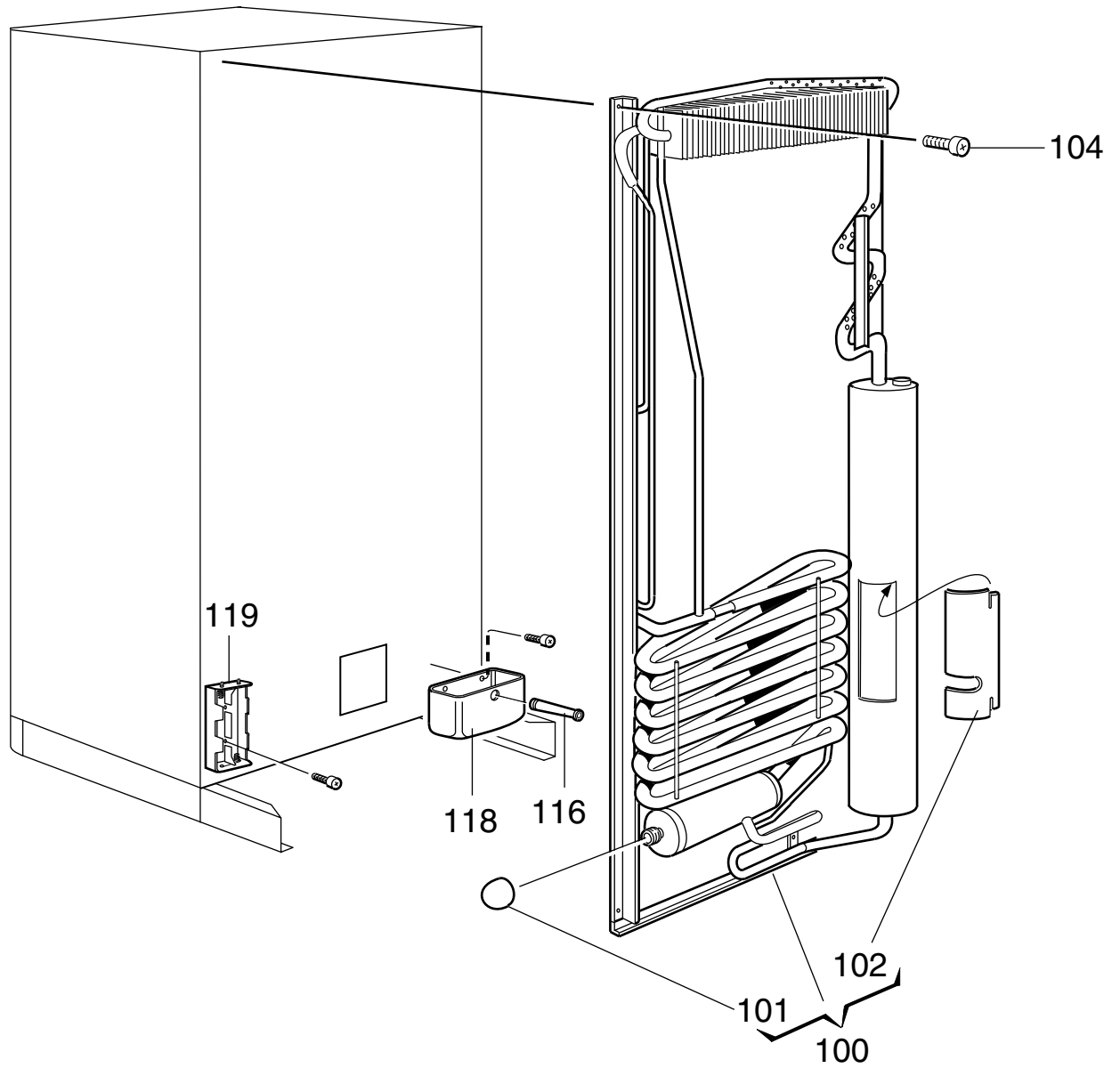
Pos	Part No.	Matrix	Description
91	3858002177	A	Screw, zinc-plated, RXS B6X19
96	2931360099	A	Conductor, electrode
115	2932667047	A	Flue baffle
120	2002699102	A	Cord set
151	561014010	A	Cable clamp



NCMOD2091979

Matrix	PNC	ELC	ProdDate	Model
A	921172058	00	20070404	RGE400

Pos	Part No.	Matrix	Description
1	2932728013	A	Coverplate
3	3851121024	A	Cooling flange
4	3858036050	A	Screw, zinc-plated, KFXS B10X38, Cr III
5	2932624014	A	Evaporation tray
7	2932115013	A	Discharge pipe, plug
8	2890050004	A	Clamp
9	2932749050	A	Draining hose
12	2930400003	A	Ice tray
15	2931117176	A	Shelf, plastic
16	3850324025	A	Grating shelf
17	3850324017	A	Grating shelf
18	3850325014	A	Grating shelf
19	3850324033	A	Grating shelf
20	2932627025	A	Grating shelf
21	2932102011	A	Shelf support
22	2932101013	A	Plug
23	2932103019	A	Plug
25	2932621010	A	Vegetable box
27	2932523018	A	Lampholder
28	2932636018	A	Box
32	2932108018	A	Contact pin
40	2932106012	A	Lamp cover
41	2932665017	A	Switch
43	2007290022	A	Lamp, 6V
47	2933091015	A	Protection bar
116	2932635010	A	Drain

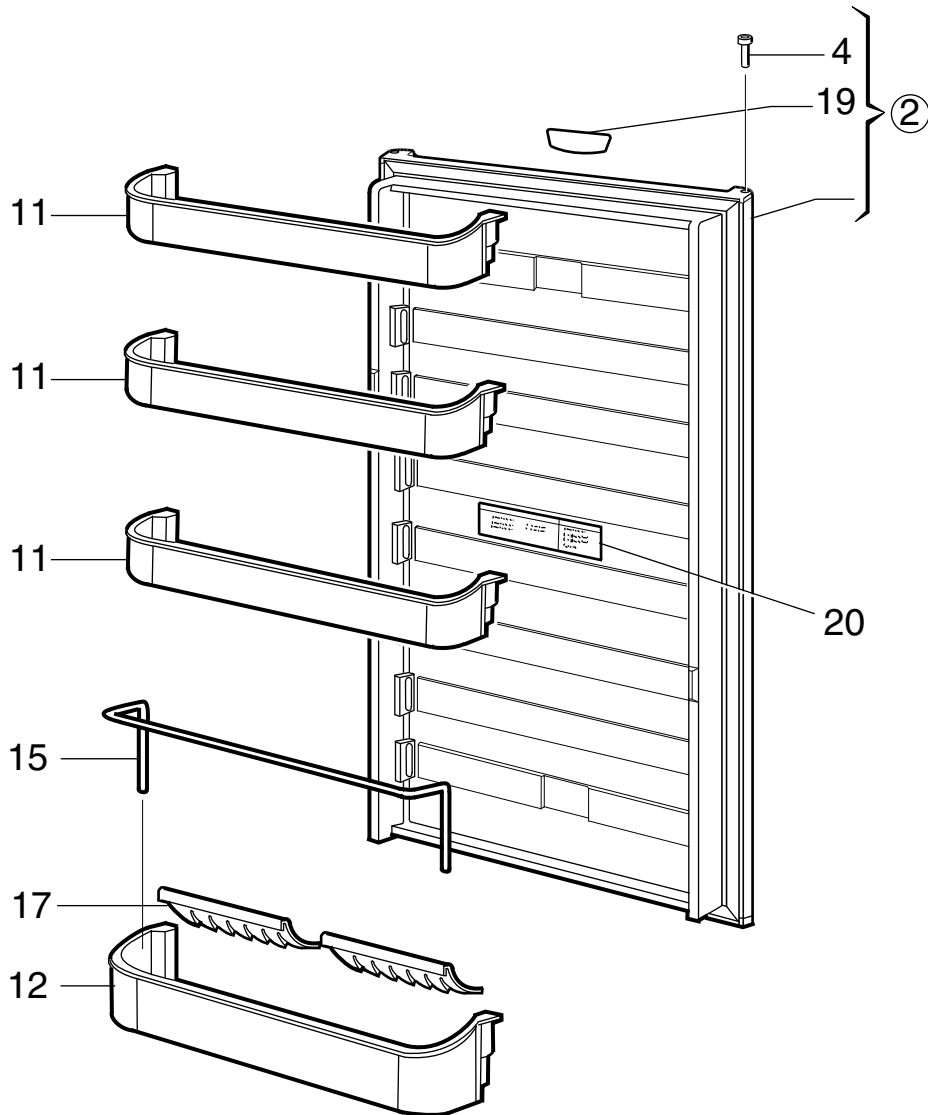
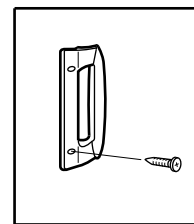
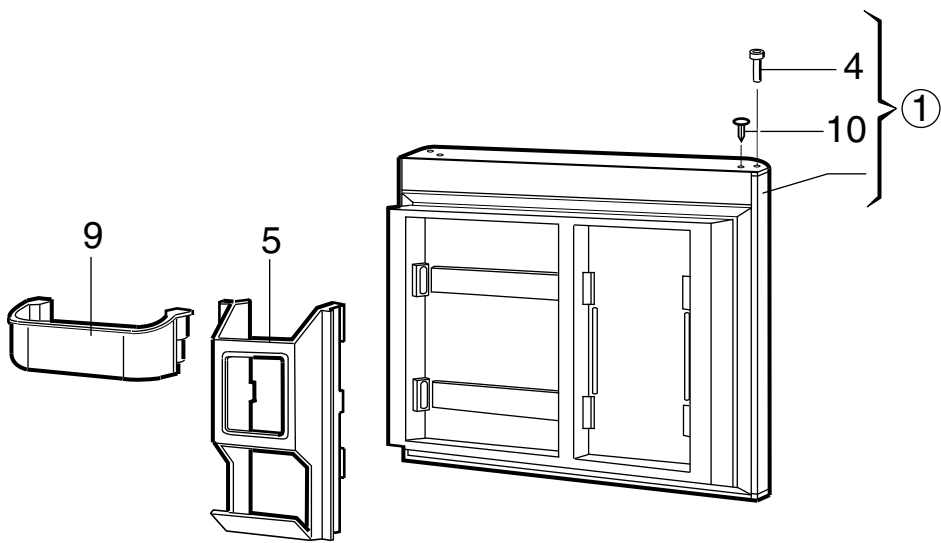


NCMOE2084323

Exploded view no.: NCMOE2084323
N00002091980

Matrix	PNC	ELC	ProdDate	Model
A	921172058	00	20070404	RGE400

Pos	Part No.	Matrix	Description
100	2934807096	A	Cooling unit,807
101	173228008	A	Cap
102	2933557007	A	Cover sheet
104	3858068012	A	Screw,DK 4.8X16
116	2931829010	A	Outlet tube
118	2931828012	A	Drip tray
119	2932849017	A	Battery box
999	8227058032	A	User manual not shown

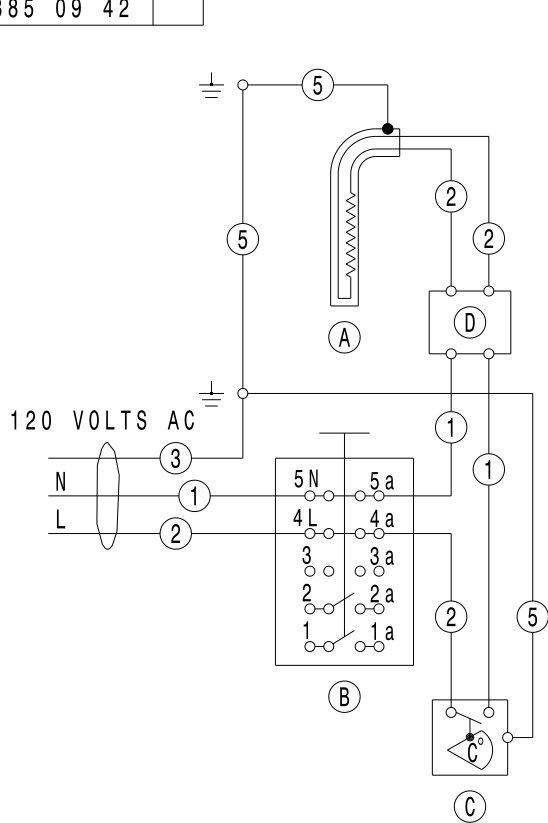


NCMOA2091981

Matrix	PNC	ELC	ProdDate	Model
A	921172058	00	20070404	RGE400

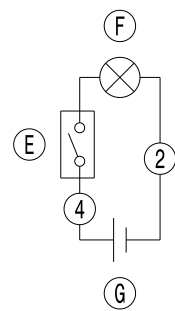
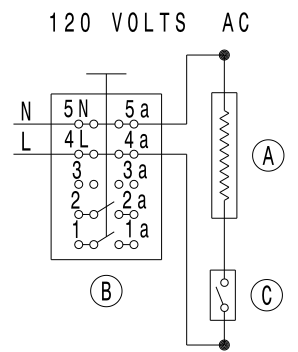
Pos	Part No.	Matrix	Description
1	3851287023	A	Freezer door,white
2	3851283014	A	Refrigerator door,white
4	2059342036	A	Hinge bushing,gre
5	2932578020	A	Juice container
9	2932577014	A	Door shelf
10	3850585021	A	Bung,gre
11	2932576016	A	Door shelf
12	2932575018	A	Bottle shelf
15	2932585033	A	Rack
17	2932658012	A	Bottle holder,white
19	2932288034	A	Shield,door,white,DOMETIC
20	3851235006	A	Label
30	2932973064	A	Handle kit,gre
			Optional
31	2932973072	A	Handle kit,white
			Optional

385 09 42



- ① — WHITE
- ② — BLACK
- ③ — GREEN
- ④ — RED
- ⑤ — YELLOW/GREEN

- (A) — HEATER
- (B) — SWITCH
- (C) — THERMOSTAT
- (D) — TERMINAL BLOCK
- (E) — SWITCH LIGHT
- (F) — LIGHT
- (G) — BATTERY BOX 6V



N38509420