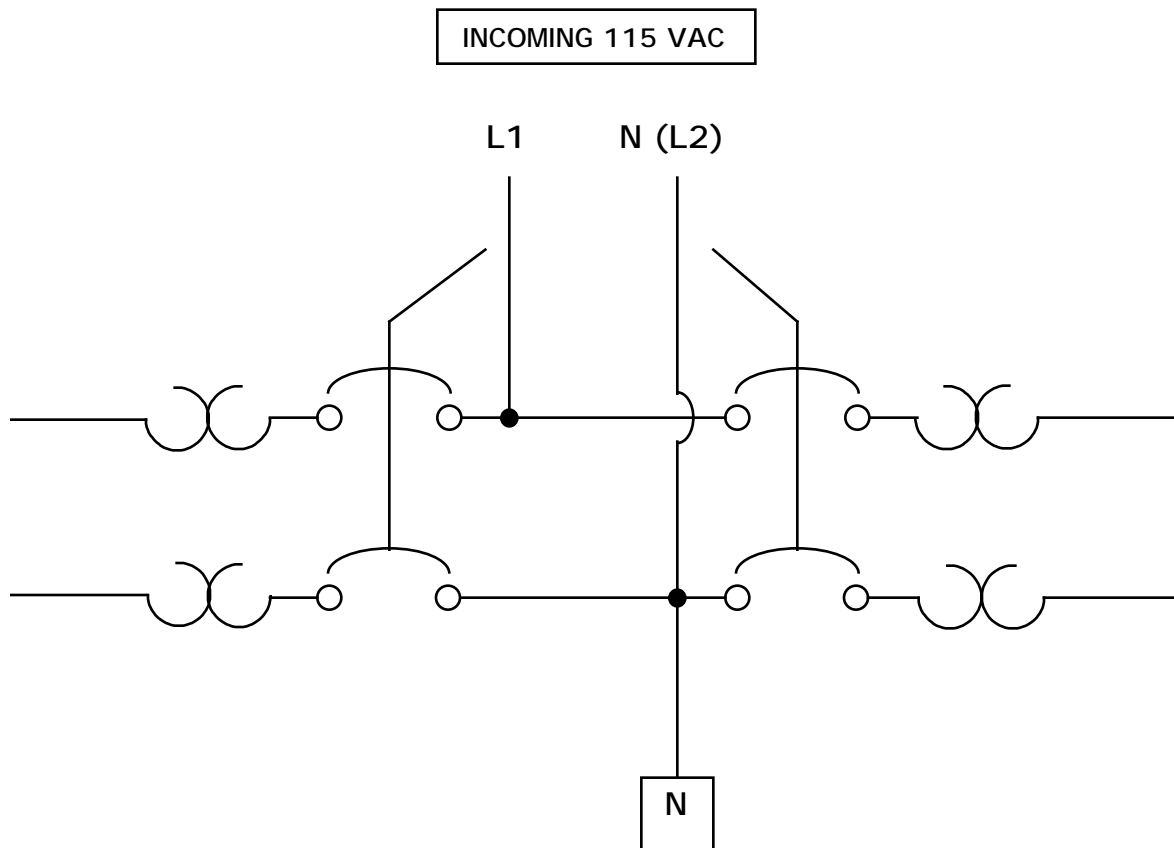


CE21SW/DW PANEL 115 VAC INSTALLATION



CE21SW AND CE21DW CONTROL PANELS ARE WELL SUITED FOR 115 VAC INSTALLATION. FOLLOW THE DIAGRAM ABOVE AND STEPS BELOW WHEN WIRING FOR 115 VAC.

- 1 CONNECT HOT LEAD TO L1
- 2 CONNECT NEUTRAL TO L2 POSITION
- 3 JUMPER L2 TO NEUTRAL TERMINAL "N"
- 4 NOTE CHANGE ON INSIDE OF PANEL DOOR



PACIFIC LIQUID & AIR SYSTEMS
PUMPS • MOTORS • CONTROLS

761 AHUA STREET
HONOLULU, HAWAII 96819
PH 536-7699 FAX 536-8761
www.pacificliquid.com

PL&A CAD