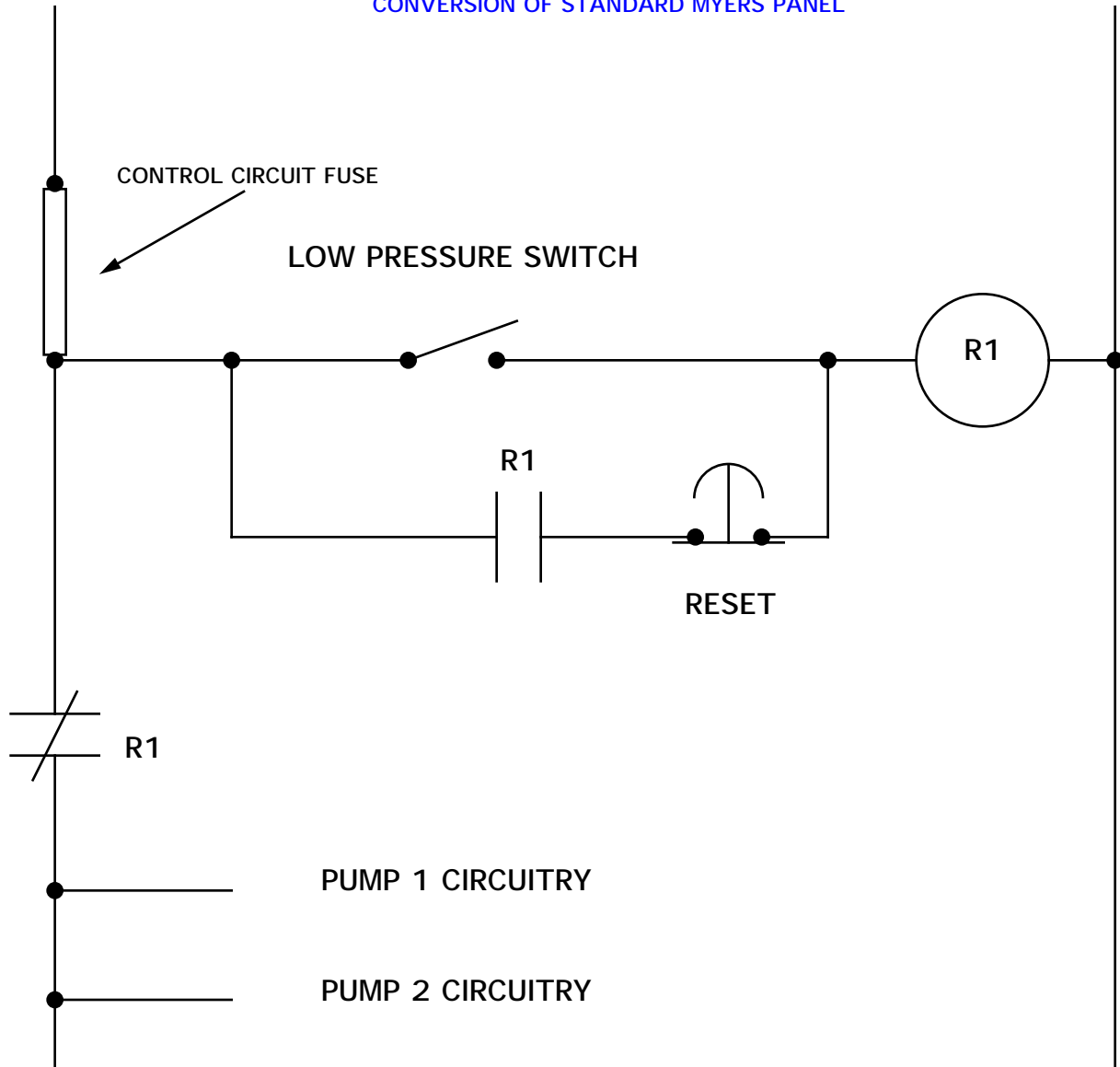


LOW PRESSURE CUT OUT W/RESET

CONVERSION OF STANDARD MYERS PANEL



WHEN SUCTION PRESSURE DROPS, NORMALLY OPEN PRESSURE SWITCH CLOSSES AND PUMPS SHUT DOWN. R1 RELAY IS HELD BY NORMALLY OPEN CONTACTS. WHEN PRESSURE SWITCH REOPENS, R1 REMAINS ENERGIZED UNTIL NORMALLY CLOSED RESET BUTTON IS DEPRESSED.

R1 5X835 SOCKET 4A161 RESET 2X901



PACIFIC LIQUID & AIR SYSTEMS
PUMPS • MOTORS • CONTROLS

761 AHUA STREET
HONOLULU, HAWAII 96819
PH 536-7699 FAX 536-8761
www.pacificliquid.com

PL&A CAD

4/97