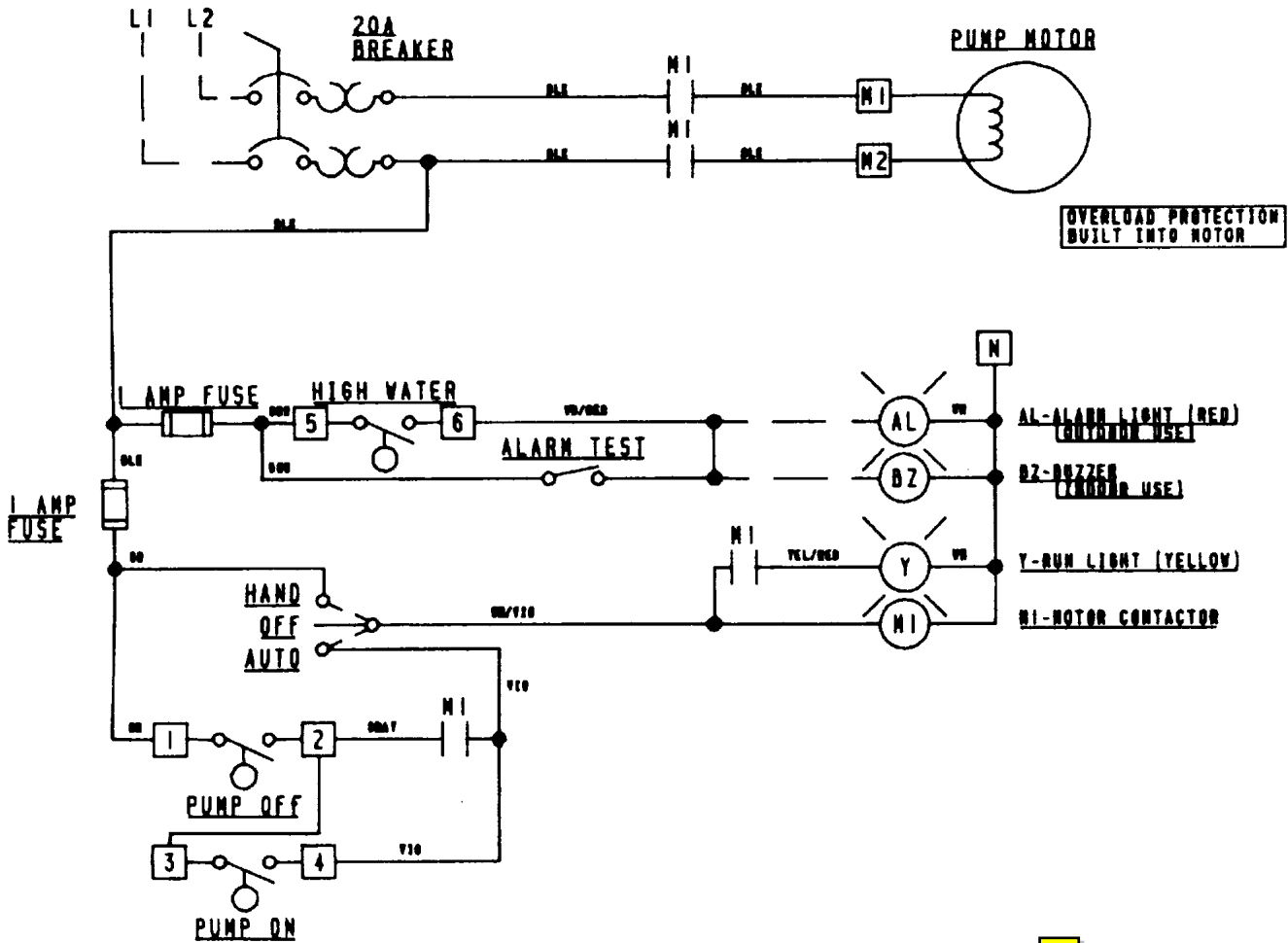


RECEIVING 250V 1PH



1 AMP FUSE

OVERLOAD PROTECTION BUILT INTO MOTOR

AL-ALARM LIGHT (RED)
(BATTERY USE)

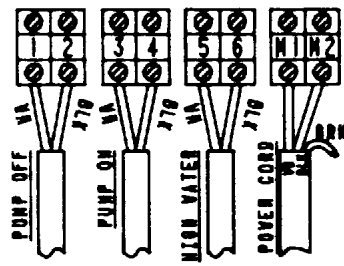
BZ-BUZZER
(BATTERY USE)

Y-RUN LIGHT (YELLOW)

NI-MOTOR CONTACTOR

NOTE: CONNECT ALL GREEN WIRES TO GROUND BAR

FLOAT CONTROLS MUST BE RATED FOR 2 AMPS AT 115 VOLTS



CAT. NO. CE-21S OR CE-21SW
230 VOLT, 1 PHASE