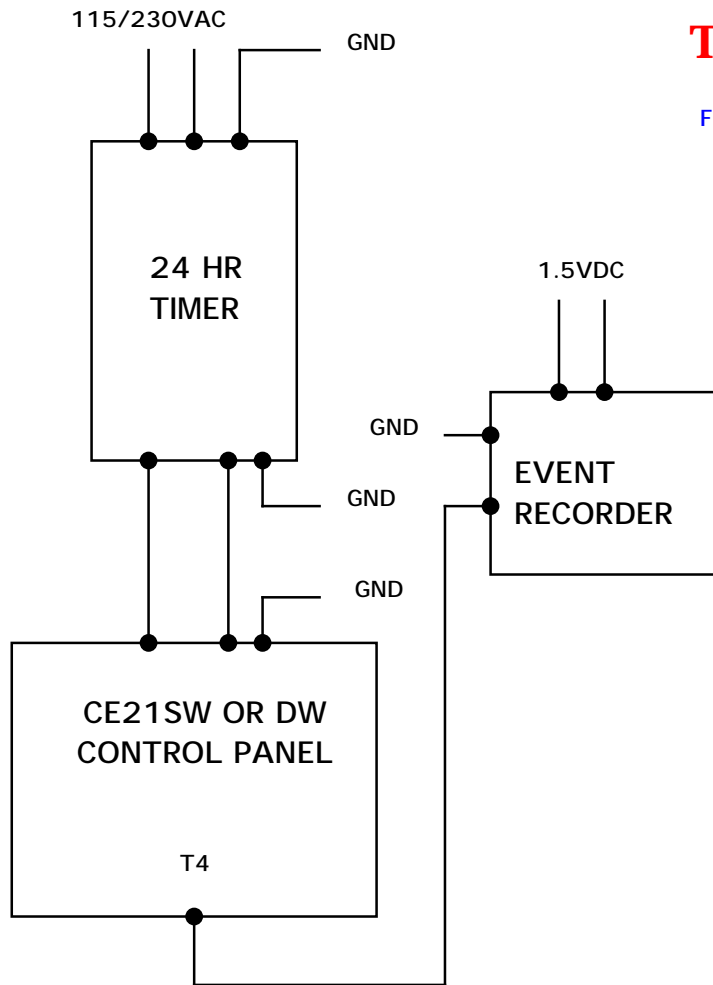


# Time of Day Pump Control

FOR SEWAGE PUMPING DURING SPECIFIC HOURS  
USING MYERS CONTROL PANELS



PUMPS: MYERS WHR511C/21C  
OR STA-RITE PWS7C01  
TIMER: INTERMATIC T101  
RECORDER: DICKSON EV401  
CTRL PANEL: MYERS CE21

INSTALL CONTROL PANEL AND  
FLOATS PER INSTRUCTIONS.

LOGIC: PUMP(S) RUN IFF  
TIMER AND CONTROL PANEL  
OUTPUT ARE ON. EVENT INPUT  
OCCURS UNDER THE SAME  
CONDITIONS. PUMP(S) WILL  
CONTINUE TO RUN UNTIL TIMER  
DISCONNECTS POWER OR  
CONTROL PANEL SENSES  
COMPLETE PUMP DOWN.



**PACIFIC LIQUID & AIR SYSTEMS**  
PUMPS • MOTORS • CONTROLS

761 AHUA STREET  
HONOLULU, HAWAII 96819  
PH 536-7699 FAX 536-8761  
[www.pacificliquid.com](http://www.pacificliquid.com)

PL&A CAD 3/99