



Series KP Stainless Steel Submersible Sump & Utility Pump

**Models
150 & 250**

Submittal Data

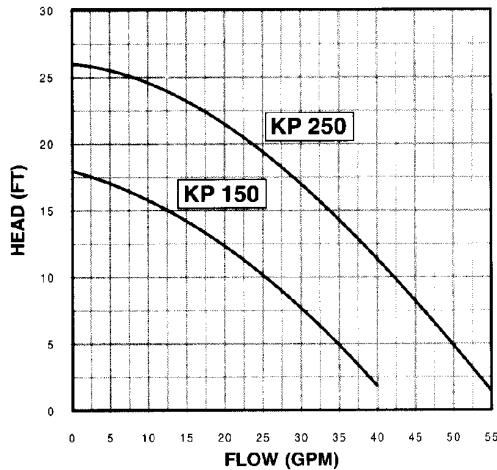
3350 RPM

60 Hertz

	JOB or CUSTOMER:	
	ENGINEER:	
	CONTRACTOR:	
	SUBMITTED BY:	DATE:
	APPROVED BY:	DATE:
	ORDER NO:	DATE:
	SPECIFICATION REF:	

QUANTITY	TAG NO.	MODEL NO.	GPM	FEET	VOLT	PHASE
					115	1
					115	1

Performance Curves



Technical Data

FLOW RANGE: .5 - 55 U.S. GPM

TEMPERATURE RANGE:
32° - 95°F (0° - 35°C) Continuous
32° - 122°F (0° - 50°C) Intermittent
(Totally submerged)

Minimum Pumping Level: 1/2 Inch
Maximum Solid Size: 3/8 Inch



Applications

Use for:

- Effluent
- Clear or dirty sump water
- Grey water and waste water
- Draining ponds, pits and tanks
- De-Watering, Draining and filling tanks, Draining pools & spas
- Light Chemical Mixing*

Do not use for:

- Raw sewage
- Flammables
- Highly corrosive liquids

* Flush after use

Electrical Data and Dimensions

Model	HP	PH	Volts	Watts	Amps	Disc. Size (FNPT)	Shipping* Weight (Lbs.)	Shipping Volume (Cu. Ft.)
KP150	1/5	1	115	310	2.9	1/4	16	.5
KP250	1/3	1	115	450	4.9	1/4	19	.5

*Not including Float Switch (for Float Switch, add an additional 1 1/2 lbs.)

Construction Materials

Stainless Steel:

AISI 304 S.S. Strainer, Pump Housing, Impeller, Fasteners, Stator Housing, Wear Plate, Lock Nut, Washer

AISI 431 S.S. Shaft

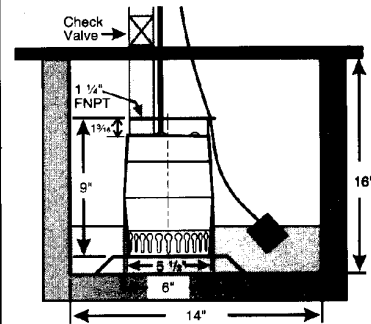
PPS : Pump Handle (Nameplate)

Compounded Carbon: Bearings

NBR: Seal Rings

Neoprene: Power Cord Jacket, Optional Float Switch Jacket, Grommet

Dimensions/Installation



Power cord length: 10 ft. and 25 ft. standard, float switch length: 10 ft. and 25 ft. available. 18" sump size recommended for best operation of wide angle mechanical float switch.



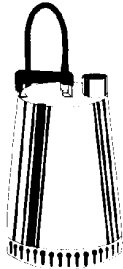
Series AP Stainless Steel Submersible Sump & Utility Pump

Model AP 12

Submittal Data

3350 RPM

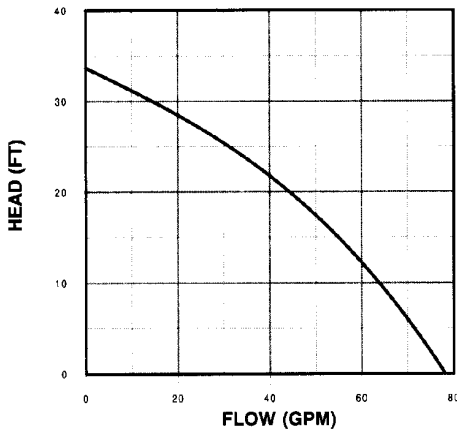
60 Hertz



JOB or CUSTOMER:	
ENGINEER:	
CONTRACTOR:	
SUBMITTED BY:	DATE:
APPROVED BY:	DATE:
ORDER NO:	DATE:
SPECIFICATION REF:	

						115	1	
						115	1	

Performance Curve



Technical Data

FLOW RANGE: .5 - 78 U.S. GPM

TEMPERATURE RANGE:
 32° - 131°F (0° - 55°C) Continuous
 32° - 158°F (0° - 70°C) Intermittent (Totally submerged)

Minimum Pumping Level: 1 3/8 Inch
Maximum Solid Size: 7/16 Inch



Applications

Use for:

- Effluent
- Clear or dirty sump water
- Grey water and waste water
- Draining ponds, pits and tanks
- De-Watering, Draining and filling tanks, Draining pools & spas
- Light Chemical Mixing*

Do not use for:

- Raw sewage
- Flammables
- Highly corrosive liquids

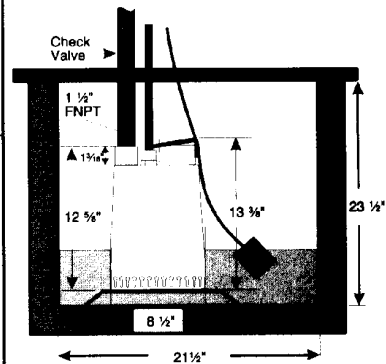
* Flush after use

Electrical Data and Dimensions

AP 12	1/2	1	115	400	8.0	1 1/2'	24	.5
--------------	-----	---	-----	-----	-----	--------	----	----

*Not including Float Switch (for Float Switch, add an additional 1 1/2 lbs.)

Dimensions/Installation



Power cord length: 10 ft. and 25 ft. standard, float switch length: 10 ft. and 25 ft. available. 18" sump size recommended for best operation of wide angle mechanical float switch.

Construction Materials

Stainless Steel:

- AISI 316 S.S.** Pump Sleeve, Stator Housing, Shaft
- AISI 304 S.S.** Strainer, Pump Housing, Impeller, Lock Nut, Fasteners,

PPS : Pump Handle (Nameplate)

Compounded Carbon: Bearings

NBR: O-Ring

Neoprene: Power Cord Jacket, Optional Float Switch Jacket, Grommet

Silicon Carbide/Silicon Carbide: Shaft Seal