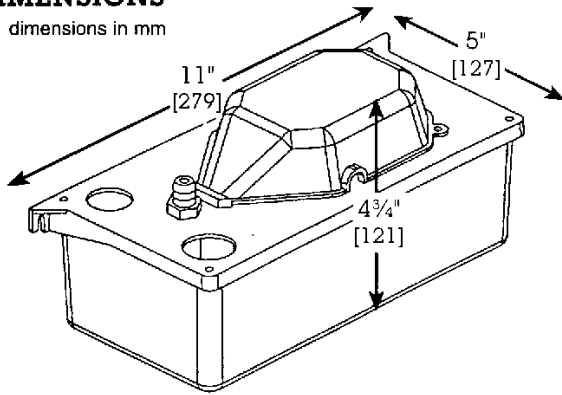


MCU20

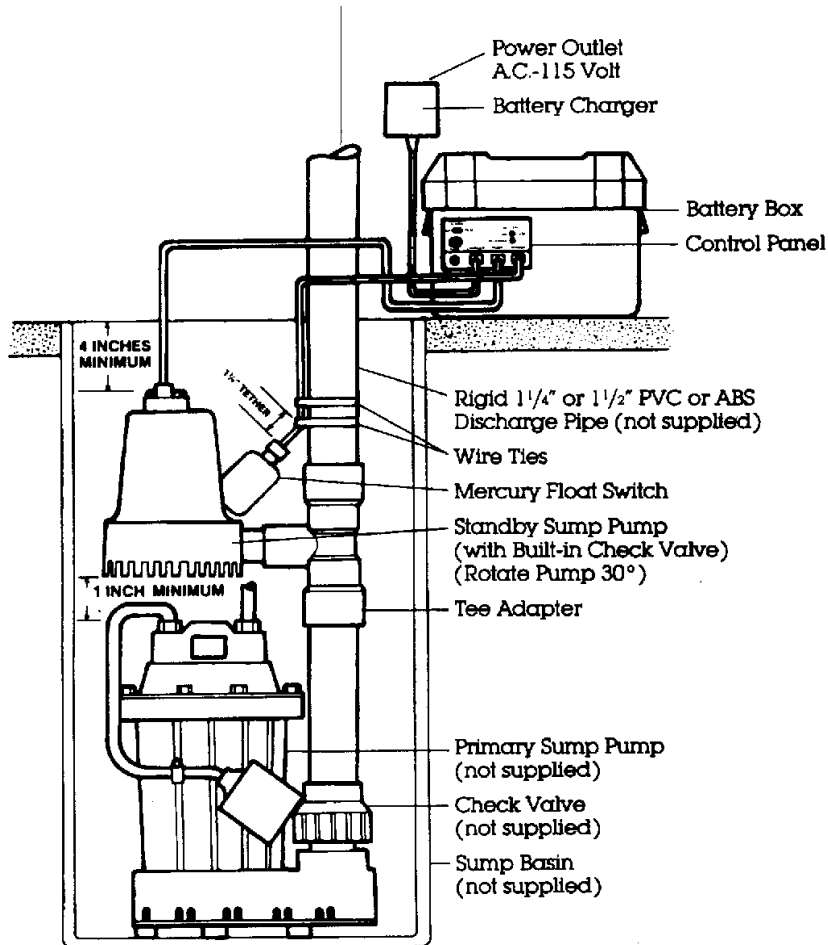
DIMENSIONS

[] dimensions in mm



PERFORMANCE CHART

Flows (GPH)	Heads (Ft.)
95	1
85	5
70	10
45	15
0	20



MBSP PERFORMANCE*

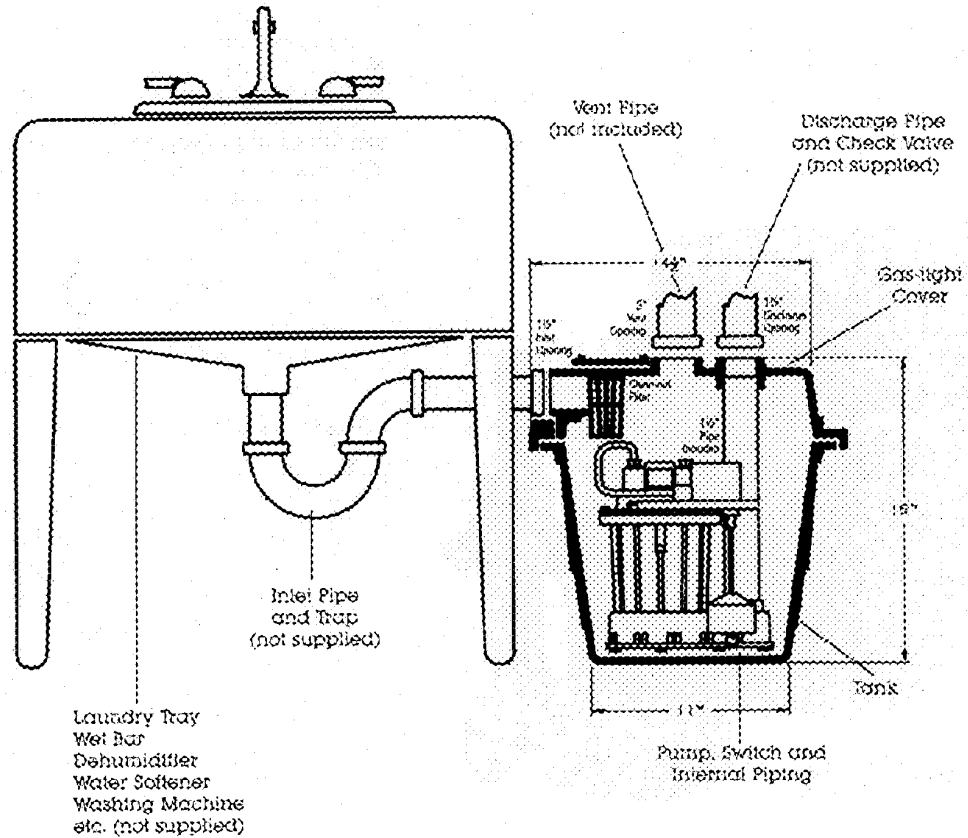
Total Head (Ft.)	3'	5'	10'	15'
GPM	20.5	17	7.5	0

* Based on fully charged battery.

ED-25

Electric Drain
1/4 HP Under Sink Alternative
Sink Pump System

TYPICAL INSTALLATION/DIMENSIONS



ED-25 PERFORMANCE

Total Head (Ft.)	5	10	15	20
GPM	27	21	14	6

K357B 2/96
Printed in U.S.A.



Myers

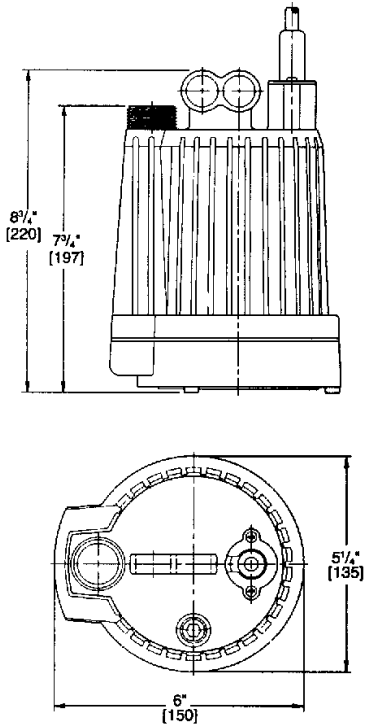
F. E. Myers, 1101 Myers Parkway, Ashland, Ohio 44805-1968
419/289-1144, FAX: 419/289-6658, T.LX: 98-7443

Myers (Canada), 269 Trillium Drive, Kitchener, Ontario N2G 4W5
519/748-5470, FAX: 519/749-2553

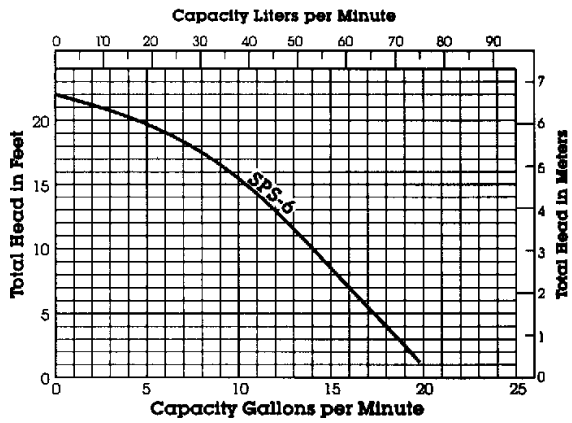
SPS6

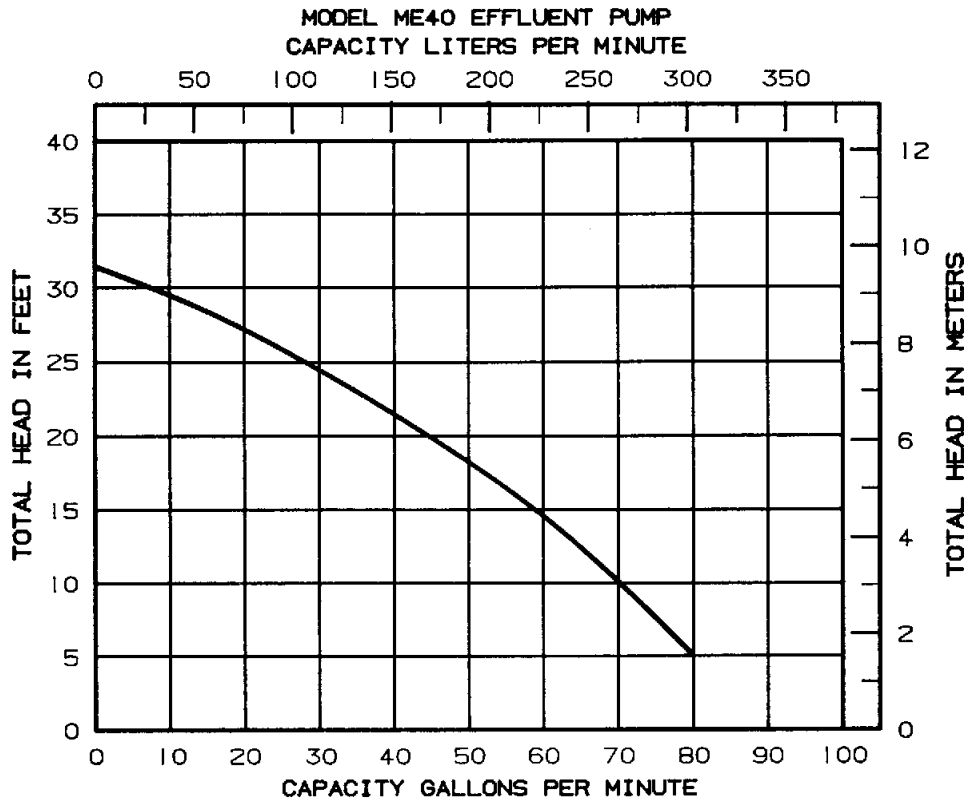
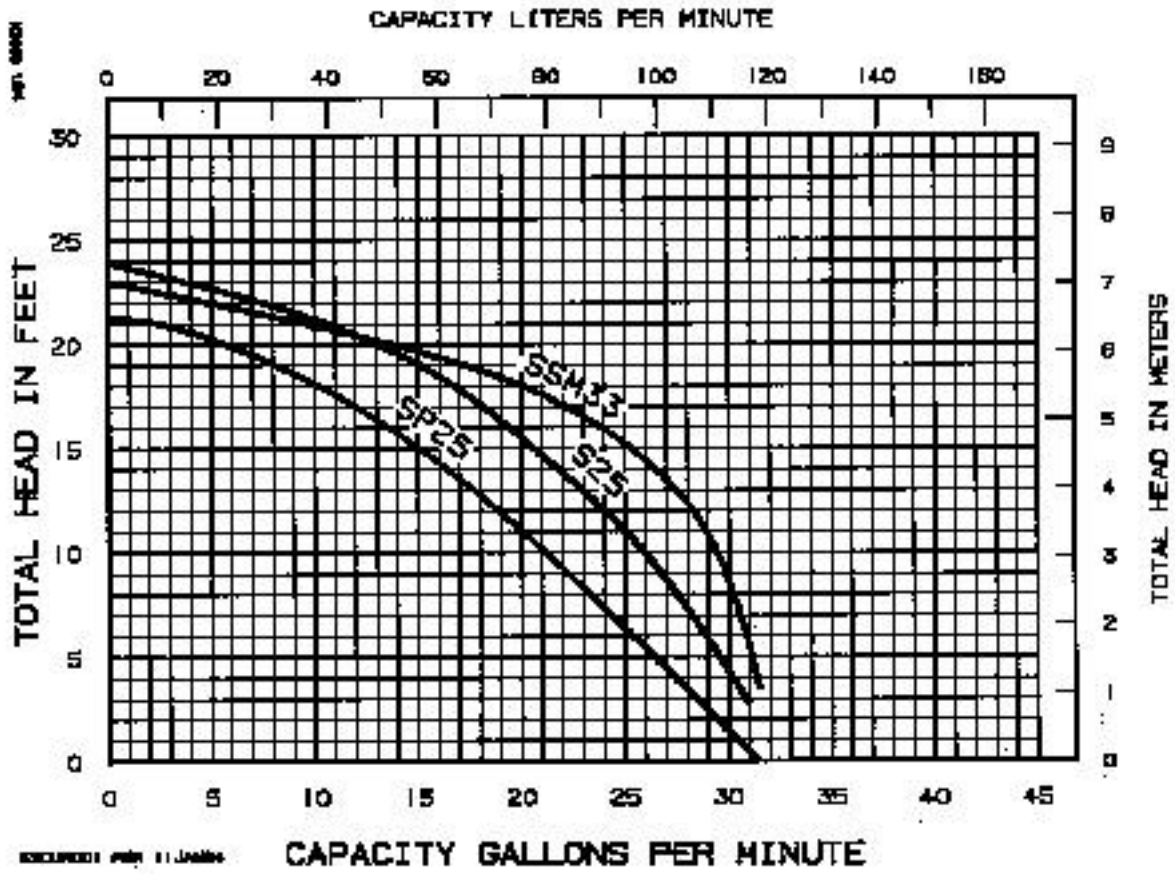
DIMENSIONS

[] dimensions in mm



PERFORMANCE CURVE





ME Series 1/2 through 1-1/2 HP Effluent Pumps Performance Curve

Myers®

