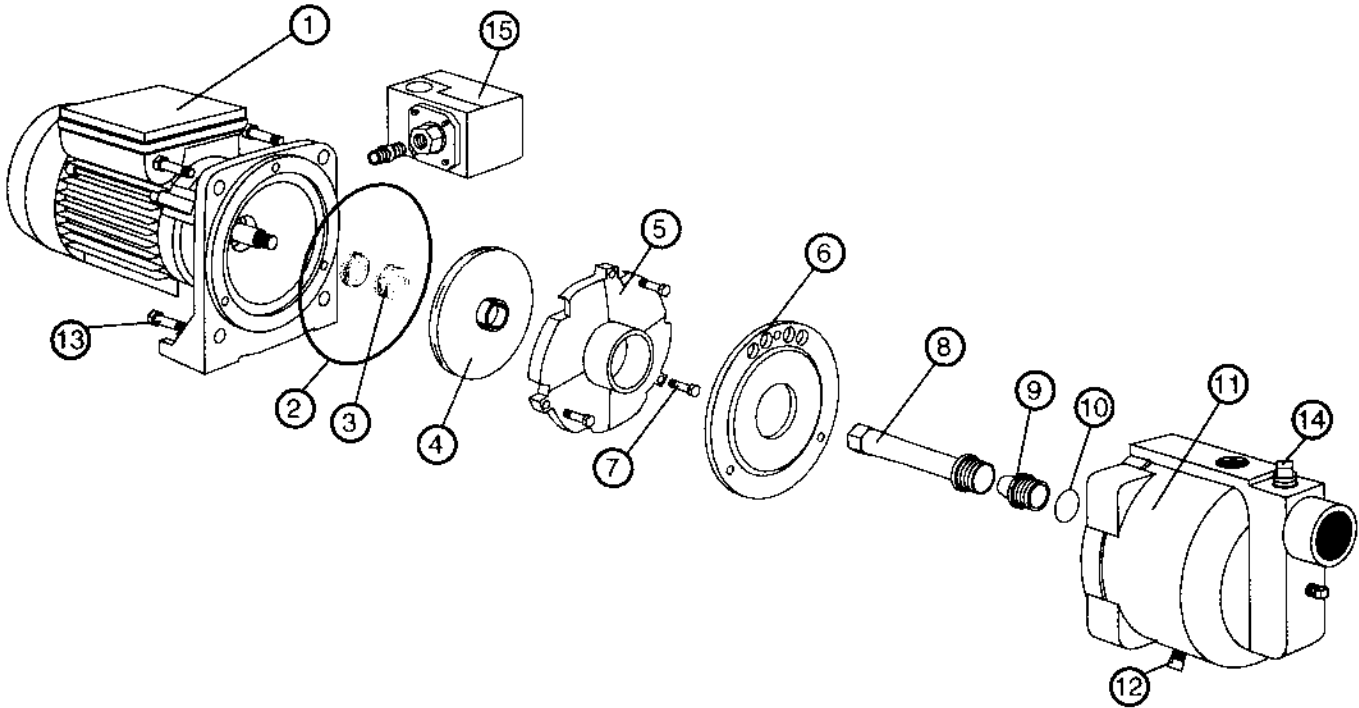


Quick Draw Jet Pumps Parts List

1/2, 3/4 & 1 HP, 60 Hz

Shallow Well



Ref. No.	Description	Part No. for 1/2 HP units	Part No. for 3/4 HP units	Part No. for 1 HP units
1	Motor, with Seal Plate, 115 V	26635D000	26636D000	26637D000
	Motor, with Seal Plate, 230 V	26635D001	26636D001	26637D001
2	Gasket	05014A157	05014A157	05014A157
3	Seal, Shaft	14525A010	14525A010	14525A010
4	Impeller, Plastic	16622B010	19196B014	19196B014
	Impeller, Brass	17682B004	19196B010	19196B010
5	Diffuser	12371B060	14379B001	14379B001
6	Plate, Priming	13069B500	13069B501	13069B501
7	Screw, Cap, 1/4"-20UNC x 1-1/2" (3 Req'd.)	19099A014	19099A014	19099A014
8	Venturi	26538A500	26538A560	26538A650
9	Nozzle	08546A290	08546A290	08546A290
10	O'Ring	05876A003	05876A003	05876A003
11	Case, Shallow Well	18622D500	18622D500	18622D500
12	Plug, Pipe, 1/4" NPT (2 Req'd.)	05022A009	05022A009	05022A009
13	Screw, Cap, 3/8"-16UNC x 1" (4 Req'd.)	19101A009	19101A009	19101A009
14	Plug, Pipe, 1/2" NPT	05022A039	05022A039	05022A039
15	Switch, Pressure, with 1/4" NPT Nipple	15760A004	15760A004	15760A004

Myers®

PENTAIR PUMP GROUP

F. E. Myers, 1101 Myers Parkway, Ashland, Ohio 44805-1969
419/289-1144, FAX: 419/289-6658, www.femyers.com

Myers (Canada), 269 Trillium Drive, Kitchener, Ontario N2G 4W5
519/748-5470, FAX: 519/748-2553