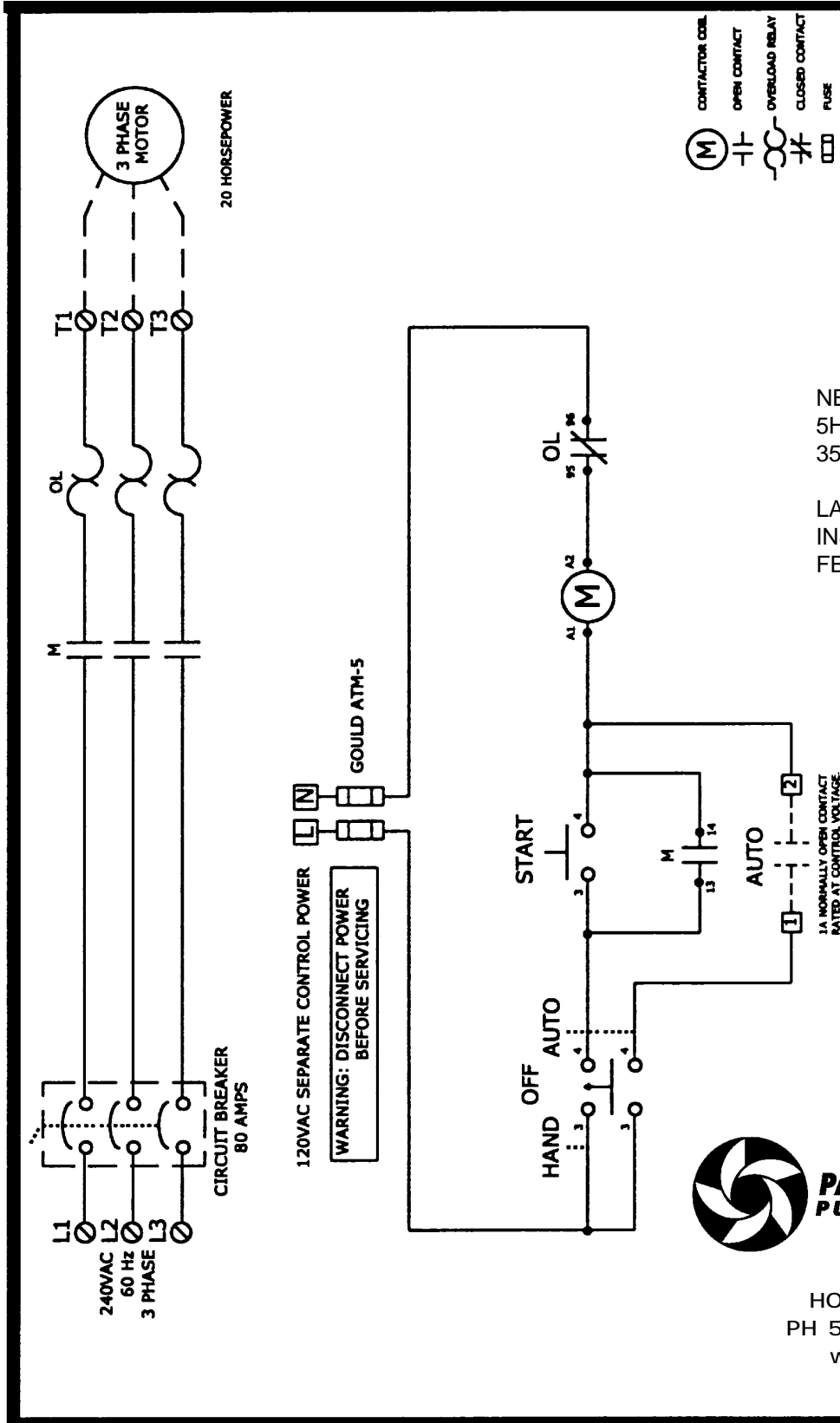


STAR DELTA STANDARD CONTROL PANEL



NEMA 3R ENCLOSURE SIZE FOR
5HP - 50HP @ 230V
35" X 18" X 10"

LARGE ENCLOSURE SIZE ALLOWS
INSTALLATION OF ADDITIONAL
FEATURES & OPTIONS



PACIFIC LIQUID & AIR SYSTEMS
PUMPS • MOTORS • CONTROLS

761 AHUA STREET
HONOLULU, HAWAII 96819
PH 536-7699 FAX 536-8761
www.pacificliquid.com