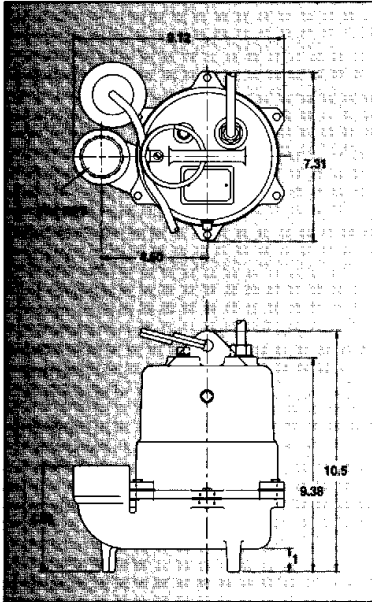
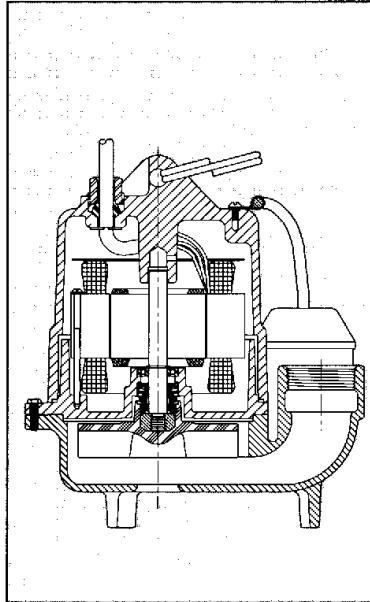


# Cast Iron Submersible High Temperature Pump

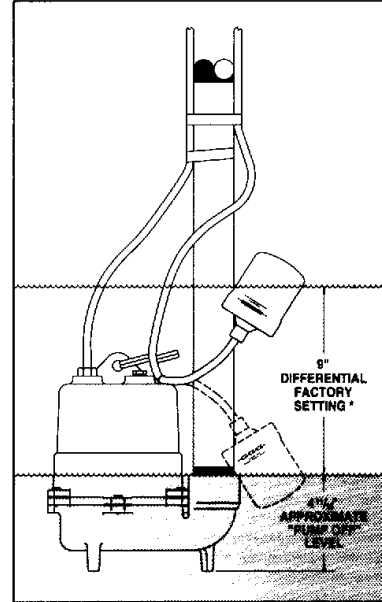
**OUTLINE DIMENSIONS**



**SECTIONAL VIEW**



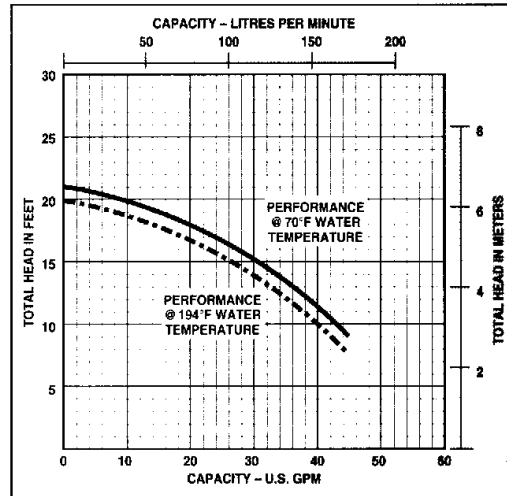
**INSTALLATION DIMENSIONS**



**ORDERING INFORMATION**

Catalog Number	HP	Max. Load Amps	Volts	Phase/Cycle	Solids Handling Capability	Discharge
PHTS3B01	1/3	12.0	115	1/60	3/4"	1-1/2" NPT

**PERFORMANCE CURVE**



## Sump/Effluent Pumps



### FEATURES

- Corrosion-resistant pump body with top inlet to screen out loose debris
- Corrosion-resistant thermoplastic semi-open impeller
- Mercury-free SJ Electro PUMP MASTER™ mechanical float switch
- Oil-cooled shaded pole motor
- 8 foot replaceable power cord can be easily field-converted to 15, 20 or 50 feet
- Corrosion-resistant zinc-plated or epoxy-coated hardware for long life
- 1-1/2" NPT discharge

PERFORMANCE – 1/4 HP MODELS				
Total Head in Feet	5'	10'	15'	18'
Gallons Per Minute Capacity	38	30	14	0

PERFORMANCE – 1/3 HP MODELS				
Total Head in Feet	5'	10'	15'	20'
Gallons Per Minute Capacity	46	36	24	0

PERFORMANCE – 1/2 HP MODELS					
Total Head in Feet	5'	10'	15'	20'	24'
Gallons Per Minute Capacity	54	45	33	20	0

### ORDERING INFORMATION

Model	HP	Switch Type	Settings	
			On	Off
ST25ASP	1/4	Float	14"	6"
ST25VSP	1/4	Vertical	8"	3-1/2"
ST33ASP	1/3	Float	14"	6"
ST33VSP	1/3	Vertical	8"	3-1/2"
ST50ASP	1/2	Float	14"	6"
ST50VSP	1/2	Vertical	8"	3-1/2"

In order to provide the best products possible, specifications are subject to c

**Submersible Sump Pumps**

**TRIDENT 1500 Series**



**FEATURES**

- 1/2 HP, 115V, 1Ø, 60 Hz
- Built-in check valve
- Mercury-free mechanical float switch for automatic operation
- Compact, lightweight, 12" high, 6" wide
- Upper and lower pump housings made of glass-reinforced polypropylene
- Oil-filled, lifetime lubricated high capacity motor, with built-in thermal overload
- 1-1/2" non-threaded discharge simplifies alignment, reduces noise

- Flexible installation adapter comes with two stainless steel clamps
- Available in three Models:  
 P1511 – automatic, 10' cord  
 P1512 – automatic, 20' cord  
 P1502 – manual, 20' cord

TRIDENT 1500 PERFORMANCE					
Total Head in Ft.	5'	10'	15'	20'	22'
GPM* Capacity	77	70	42	7	0

\*Gallons Per Minute